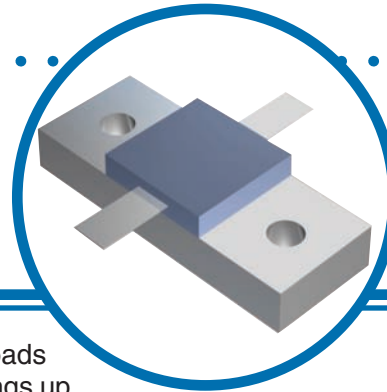


# Flanged RF Power Terminators

## RFRF Series

- High power dissipation to 250W
- Flange cooling for stripline circuit terminators
- Long life, temperature stable thin film on ceramic technology



The RFRF series of high power transmission line terminators and loads make use of a flanged heat sink construction producing power ratings up to 250W and operation to 3GHz. Ohmic values are available in 50Ω, 100Ω, 150Ω and 200Ω nominal values for maximum flexibility in your high frequency layout and design. Ideal for use in industrial RF power sources, RF amplifiers, transmitter systems and mobile RF designs.

## Electrical Data

	RFRF10LF	RFRF40LF	RFRF50LF	RFRF100LF	RFRF150LF	RFRF250LF
<b>Power Rating</b>	10W	40W	50W	100W	150W	250W
<b>Capacitance</b>	<0.8pF	<0.8pF	<1.0pF	<1.0pF	<1.0pF	<1.0pF
<b>VSWR</b>	<1.1	<1.2	<1.2	<1.2	<1.2	<1.2
<b>Resistance</b>	50Ω, 100Ω, 150Ω, 200Ω					
<b>Tolerance</b>	±1%, ±2%, ±5%,					
<b>Frequency Range</b>	DC to 3GHz					
<b>Absolute TCR</b>	±50ppm/°C					
<b>Operating Temperature Range</b>	-55°C to +155°C					
<b>Maximum Voltage</b>	$E = \sqrt{P \times R}$					
<b>Terminations</b>	Gold plated copper					

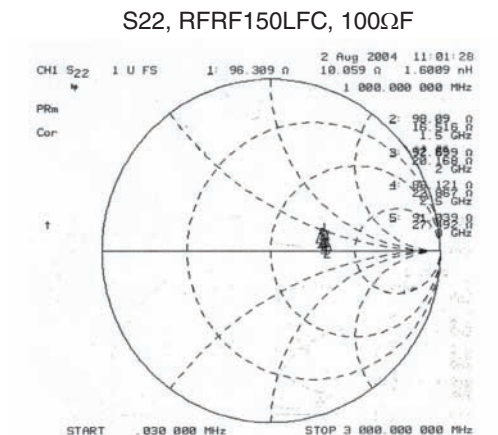
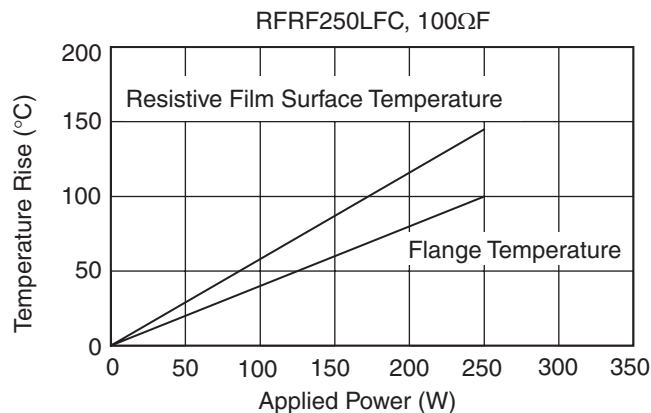
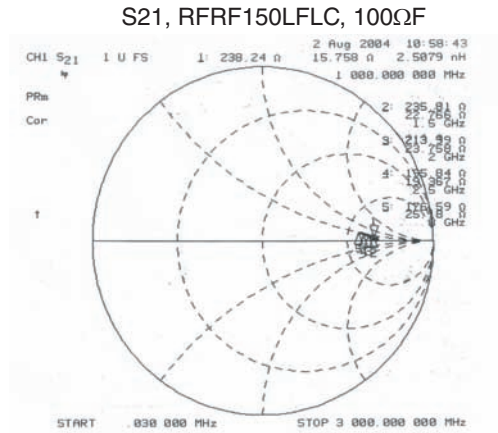
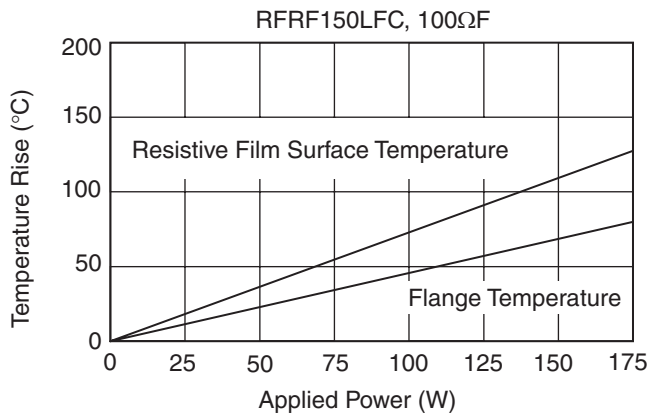
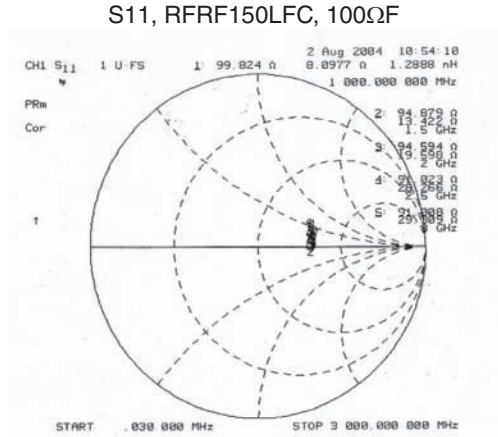
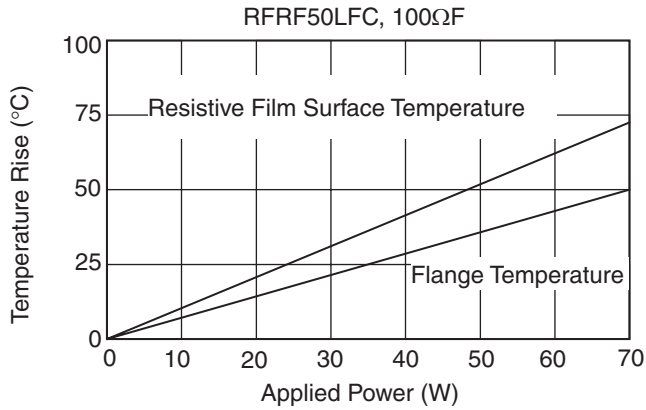
### General Note

IRC reserves the right to make changes in product specification without notice or liability. All information is subject to IRC's own data and is considered accurate at time of going to print.

# Flanged RF Power Terminators

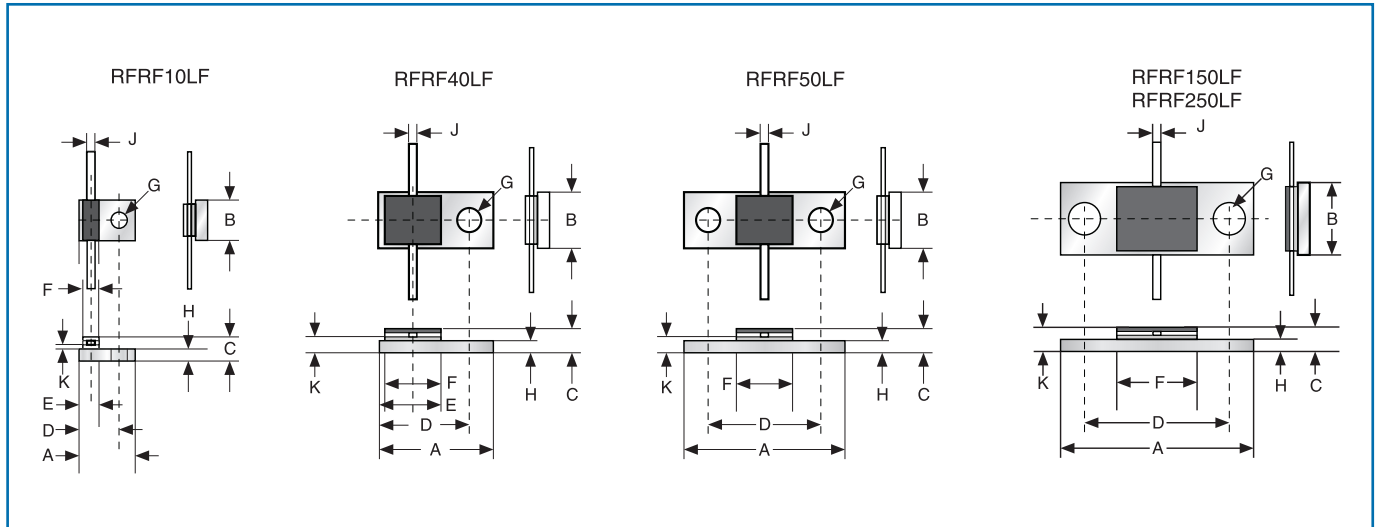
## Thermal Data

## Frequency Data



# Flanged RF Power Terminators

## Physical Data

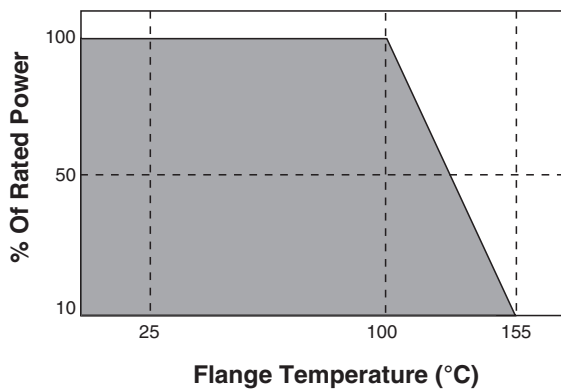


Dimensions (mm)

Type	A	B	C	D	E	F	G	H	J	K
RFRF10LF	7.6	5.10	3.1	5.0	3.0	3.0	2.9	1.5	0.8	2.2
RFRF40LF	13.0	6.35	3.1	9.9	–	6.8	2.9	1.5	0.8	2.2
RFRF50LF	20.3	5.70	3.1	14.2	–	8.5	3.2	1.5	1.5	2.6
RFRF100LF	20.3	5.70	3.1	14.2	–	6.3	3.2	1.5	1.5	2.6
RFRF150LF	20.3	5.70	3.1	14.2	–	8.5	3.2	1.5	1.5	2.6
RFRF250LF	25.0	9.53	4.6	18.42	–	9.6	3.2	3.0	3.0	4.1

Notes: Length of lead for all models is 6.35mm. Lead thickness is 0.1mm.

## Power Derating Curve



## Ordering Data

Prefix ..... **HFR** - **RFRF10LF** - **C50 OHM** **F** **000**

Model .....  
 RFRF10LF; RFRF40LF; RFRF50LF; RFRF100LF  
 RFRF150LF; RFRF250LF

Resistance .....  
 C50 OHM; C100 OHM; C150 OHM; C200 OHM

Tolerance .....  
 F = ±1%

Packaging .....  
 000 = 100 pcs/bulk